



# Model HX Rotavator

## ILLUSTRATION AND PARTS LIST

MODEL \_\_\_\_\_ HX \_\_\_\_\_

SERIAL NO. \_\_\_\_\_

TILLAGE WIDTH \_\_\_\_\_

When ordering parts: Quote part number, model and tillage width.  
Serial number is located on right front corner of main frame.

**GUY MACHINERY**  
P.O. BOX 5  
WOODSTOCK, IL 60098  
(815)338-0600 FAX(815)338-2525

MARCH 1980  
FORM 995

# MODEL HX ROTAVATOR

## ILLUSTRATION & PARTS LIST

When ordering parts: Quote part number, model and tillage width.  
Serial number is located on right front corner of main frame.

## TABLE OF CONTENTS

SAFETY & INSTRUCTIONAL DECALS . . . . .	1
UNIVERSAL JOINT ASSEMBLY & SAFETY CLUTCH . .	2-3
TRANSMISSION . . . . .	4-5
JACKSHAFT, CHAIN & ROTOR DRIVE . . . . .	6-7
ROTOR, BLADES & ROTOR SUPPORT AXLE . . . . .	8-9
MAIN FRAME & SHIELDS . . . . .	10-11-12

# SAFETY AND INSTRUCTIONAL DECALS

**CAUTION:** These decals are placed at strategic positions on the tiller to provide the operator with a constant reminder of safe operating practices. "DANGER" means there is the possibility of severe injury if instructions are not followed. If decals become damaged or lost, replace them immediately. They may be obtained from your dealer. The part number and location on the machine is listed under each decal.



## IMPORTANT

(INFORMATION FOR MACHINE FITTED WITH FRICTION CLUTCH DRIVE)

The clutch on this shaft is adjustable. To protect tractor, you must set the correct spring tension before use. The clutch should slip when, and only when, the blades strike an obstruction. Continuous or excessive slippage will cause premature clutch wear or damage, for which the manufacturer will not be responsible. For clutch adjustment instruction refer to owner's Handbook.

Clutch Adjustment Decal - 601561  
Located on U-joint guard.



## DANGER

### ROTATING DRIVE LINE

FAILURE TO HEED THESE WARNINGS MAY RESULT IN PERSONAL INJURY OR DEATH.

**KEEP CLOTHING, YOURSELF AND OTHERS WELL CLEAR**

DO NOT OPERATE UNLESS PTO GUARDS, TRACTOR MASTER SHIELD AND IMPLEMENT GUARDS ARE IN PLACE.

PTO GUARDS MUST TURN FREELY AND BE PROPERLY ATTACHED AND MAINTAINED.

U-JOINT YOKES MUST BE SECURELY LOCKED ONTO TRACTOR AND IMPLEMENT SHAFTS.

BE SURE TRACTOR DRAWBAR AND IMPLEMENT HITCH ARE ADJUSTED CORRECTLY.

GREASE TELESCOPING SHAFT REGULARLY TO MINIMIZE THRUST FORCES.

A-7233-A

Rotating Drive Line DANGER Decal - 900983  
Located on U-joint telescoping shield.



## DANGER

Do not touch blades when engine is running!

Blade DANGER Decal - 601709  
Located on lower left side of trailing shield.

## IMPORTANT

TRACTOR LIFT LINKAGE OR HYDRAULIC LEVER LIFTING LIMIT STOPS MUST BE ADJUSTED TO PREVENT DAMAGE TO UNIVERSAL JOINTS FROM EXCESSIVE ANGLE WHEN IMPLEMENT IS FULLY LIFTED WITH P.T.O. ENGAGED.

Tractor Linkage Decal - 600203  
Located on right side of top deck.



## WARNING

1. For your own safety, and that of others, read and understand the "Operator's Manual" before attempting to operate this machine. (If manual is not available, contact your authorized dealer.)
2. All shields including power take off shields must be kept in place.
3. Disengage power take off and stop engine before adjusting, lubricating, cleaning, or unclogging machine.
4. Wait for all movement to stop before servicing the machine.
5. Keep hands, feet, and clothing away from power driven parts.
6. Keep off of machine and keep all others off.
7. Make certain everyone is clear of machine before starting engine or operation.

7 Point Warning Decal - 601708  
Located on right side of top deck.

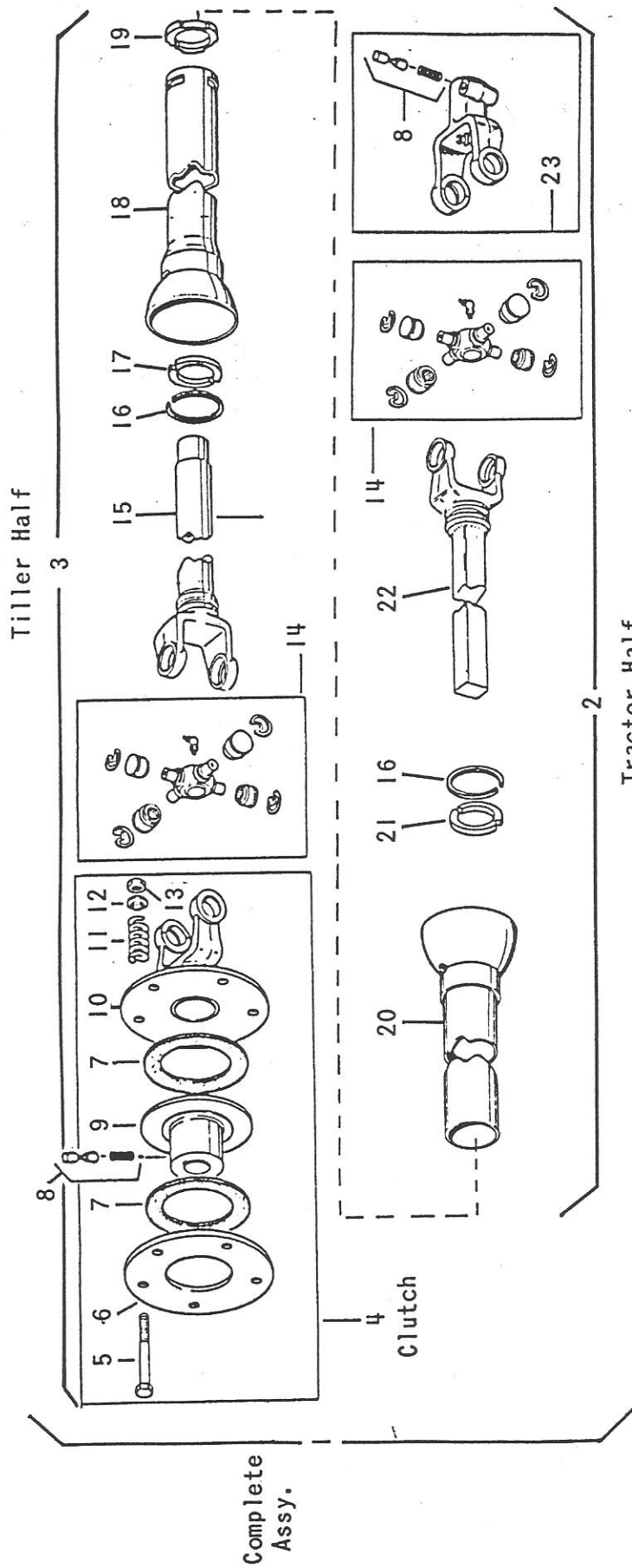
## IMPORTANT

### FILL GEARBOX WITH OIL BEFORE USING

Fill Gearbox Decal - 600204  
Located behind gearbox on gearbox support channel.

# UNIVERSAL JOINT ASSEMBLY & SAFETY CLUTCH

ILLUSTRATION A



# UNIVERSAL JOINT AND SAFETY CLUTCH

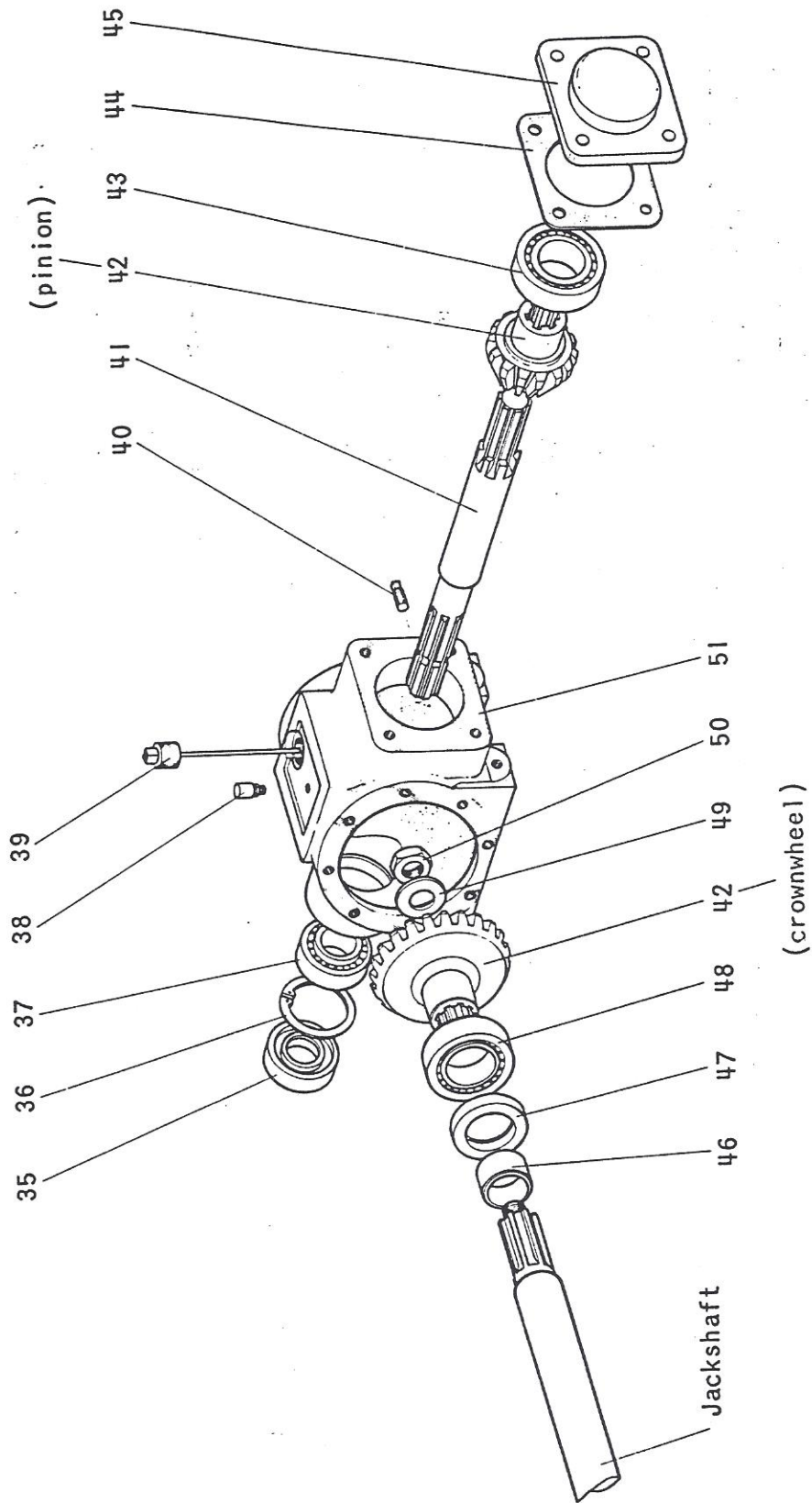
## PARTS LIST A

ILL. No.	PART No.	DESCRIPTION	QTY.	ILL. No.	PART No.	DESCRIPTION	QTY.
1	602471	U.J. Drive Assy. c/w clutch, shields, and 1-3/8", 6-spline yoke	1	13	107206155	3/8" - 16 Locknut	6
2	602487	U.J. Drive Tractor Half c/w shield and 1-3/8", 6-spline yoke	1	14	602483	Cross and Bearing Kit	2
3	602478	U.J. Drive Tiller Half c/w shield and clutch	1	15	602484	Yoke and Tube	1
4	602479	Clutch Assembly Complete	1	16	600252	Bearing Retainer	2
5	150206305	3/8"-16 x 3-3/8" Grade 8 Hex Hd. Bolt	6	17	602485	Nylon Bearing	1
6	600453	Pressure Plate	1	18	602486	Inner Shield Tube	1
7	600451	Friction Disc	2	19	600253	Nylon Centralizer	1
8	600261	Pin and Spring Kit	2	20	602488	Outer Shield Tube	1
9	600452	Drive Hub Assembly	1	21	600251	Nylon Bearing	1
10	602480	Yoke and Plate	1	22	602489	Yoke and Shaft	1
11	602481	Spring	6	23	602490	1-3/8", 6-spline Yoke	1
12	602482	Special Washer	6	24 thru 34		Not allocated	

Quote part number and machine serial number when ordering parts.

# TRANSMISSION

ILLUSTRATION B



# TRANSMISSION

## PARTS LIST B

ILL. No.	PART No.	DESCRIPTION	QTY.
47	268055101	Oil Seal 80 x 50 x 10 mm	1
48	255590231	Taper Roller Bearing - 32011	1
49	203026010	Disc Spring 50 x 25 mm	1
50	328375	Special Nut	1
51	328368	Gearcase (only)	1
52 thru 59		Not allocated	
		<b>FASTENERS - NOT ILLUSTRATED</b>	
	301212300	M12 x 30 Gr. 8.8 Hex Hd. Bolt	4
	308120040	M12 Spring Washer (Location: Gearcase to Frame)	4
	301210250	M10 x 25 Gr. 8.8 Hex Hd. Bolt	4
	308100040	M10 Spring Washer (Location: Cover Plate Bolts)	4

ILL. No.	PART No.	DESCRIPTION	QTY.
35	267235103	Oil Seal 72 x 35 x 10 mm	1
36	208001310	Internal Circlip 72 x 2.5 mm	1
37	253572176	Taper Roller Bearing - 39207	1
38	203032010	Vent Plug	1
39	328369	Filler Plug and Dipstick	1
40	203031050	Drain Plug	1
41	328371	Input Shaft	1
42	328468	13T Pinion Gear/23T Crownwheel Gear (Matched Pair Only)	1
43	255090221	Taper Roller Bearing - 30210	1
44	328071	Shim Gasket	As req'd.
45	61023	Cover Plate	1
46	328376	Spacer	1

Quote part number and machine serial number when ordering parts.

# JACKSHAFT, CHAIN & ROTOR DRIVE

## PARTS LIST C

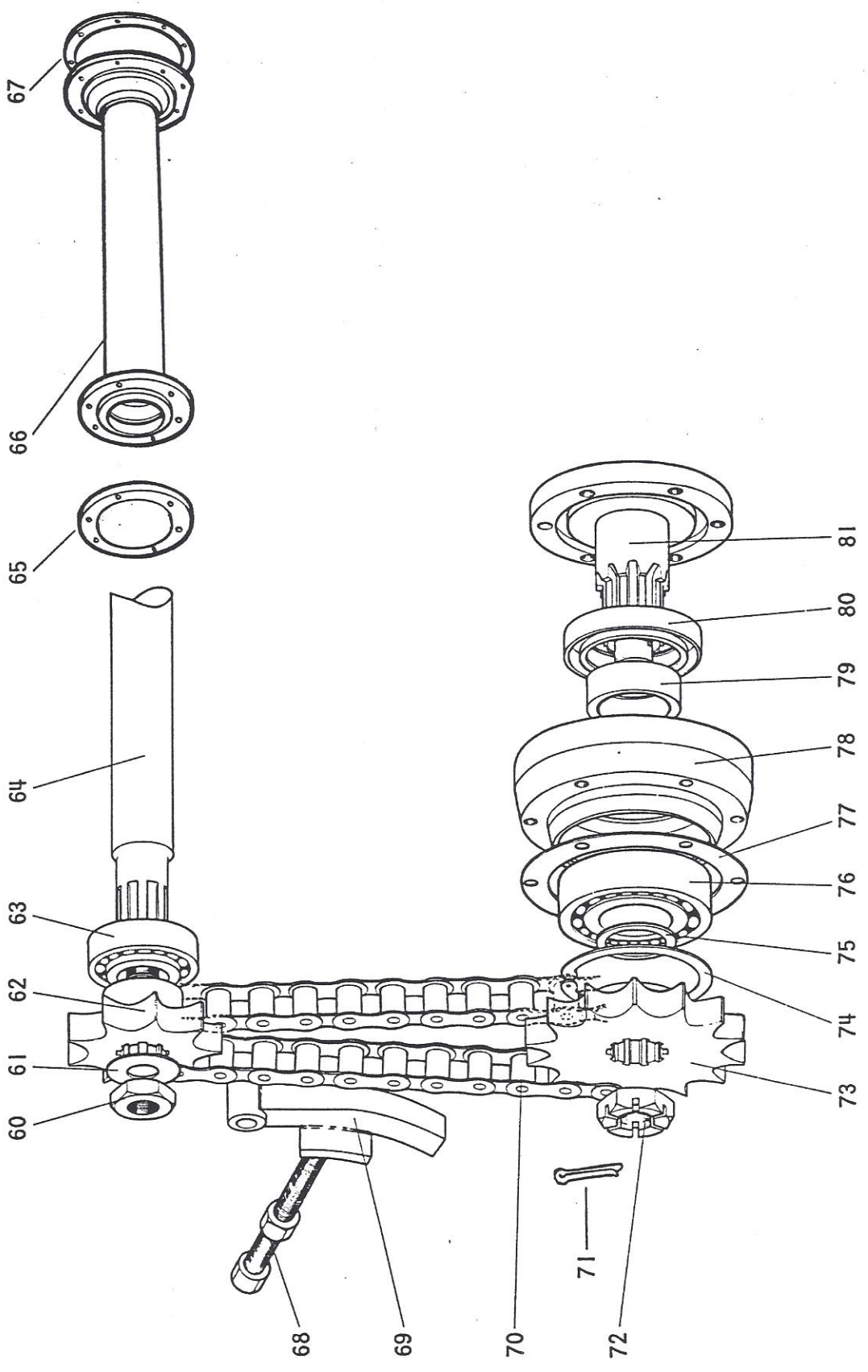
ILL. No.	PART No.	DESCRIPTION	QTY.	ILL. No.	PART No.	DESCRIPTION	QTY.
60	328375	M24 Special Nut	1	78	328399	Bearing Housing	1
61	203026190	Disc Spring 70 x 25 mm	1	79	328402	Spacer Ring	1
62	328392	11T Top Sprocket	1	80	261070153	Multi-Lip Oil Seal - 100 x 70 x 17 mm	1
63	254080251	Taper Roller Bearing - 32208	1	81	328400	Rotor Drive Shaft	1
64	328156 328168	Jackshaft 50" model Jackshaft 60" model	1 1	82 thru 89		Not allocated	
65	328080	Gasket	1			<b>FASTENERS - NOT ILLUSTRATED</b>	
66	328381 328382	Jackshaft Housing 50" model Jackshaft Housing 60" model	1 1		301210300 308100040 (Location:	M10 x 30 Gr. 8.8 Hex Hd. Bolt M10 Spring Washer Jackshaft Housing to Gearbox)	8 8
67	328083	Shim Gasket	AS req d.		301210300 308100040 307210010 (Location:	M10 x 30 Gr. 8.8 Hex Hd. Bolt M10 Spring Washer M10 Hex Nut Jackshaft Housing to Side Drive Plate)	6 6 6
68	105343 307216010	Chain Adjusting Bolt M16 Hex Nut	1 1		101210265 107210350 (Location:	5/8" x 3-1/4" UNC Gr. 5 Hex Hd. Bolt 5/8" UNC Hex Nut Chainskid Pivot Bolt)	1 1
69	328388	Chainskid	1		301212250 308120040 (Location:	M12 x 25 Gr. 8.8 Hex Hd. Bolt M12 Spring Washer Rotor Drive Bearing Housing)	6 6
70	602470	Roller Chain - No. 100 36 pitches	1				
71	208010860	5 x 50 mm Split Pin	1				
72	328049	M30 Slotted Hex Nut	1				
73	328458	16T Lower Sprocket	1				
74	208001520	Internal Circlip 110 x 4 mm	1				
75	328401	60 x 455 x 2 mm Shim Pack (for sprocket and chain alignment)	1				
76	255011271	Ball Bearing - 6310	1				
77	328404	Gasket - 1 mm thick	1				

Quote part number and machine serial number when ordering parts.



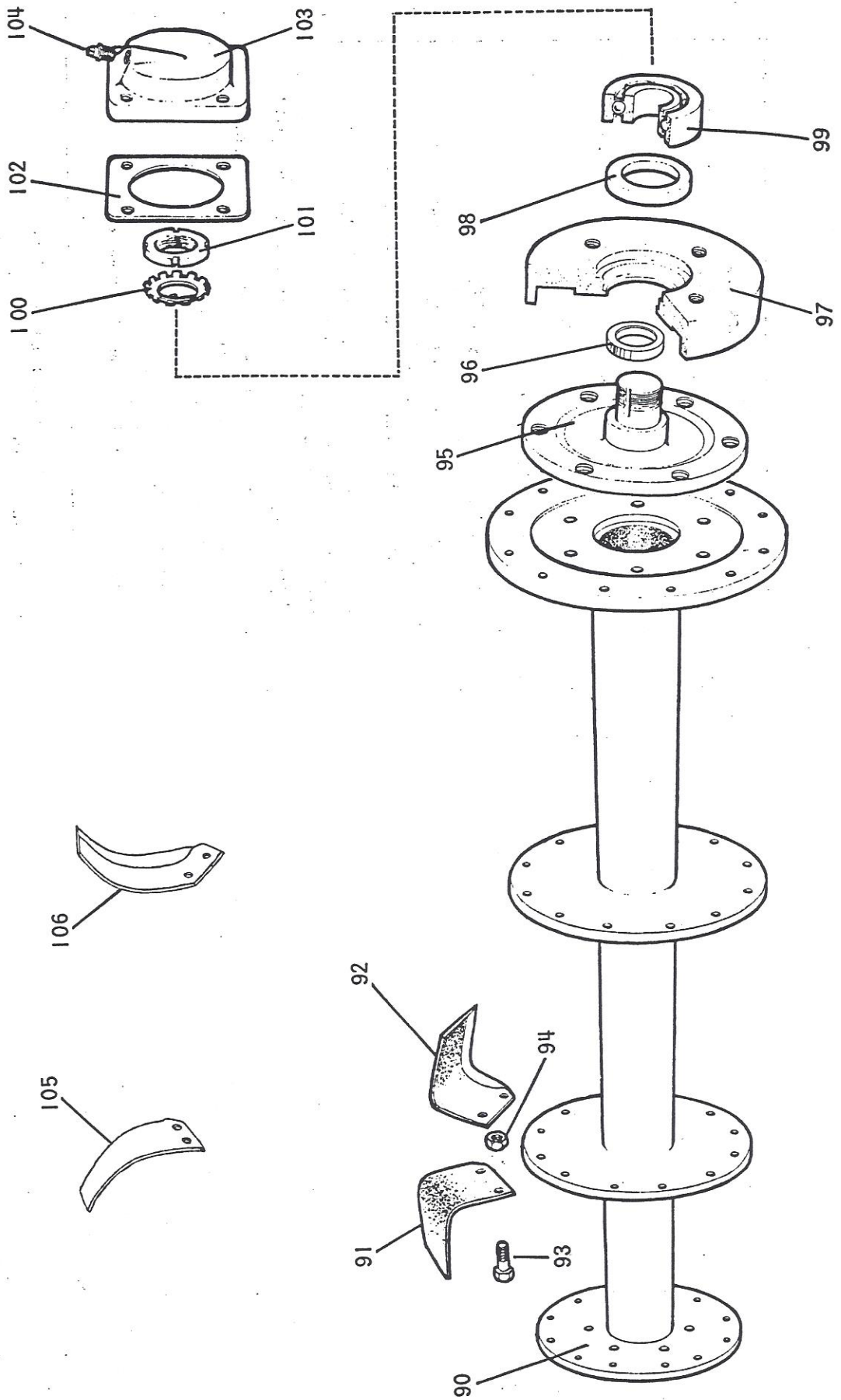
# JACKSHAFT, CHAIN & ROTOR DRIVE

ILLUSTRATION C



# ROTOR, BLADES & ROTOR SUPPORT AXLE

ILLUSTRATION D



# ROTOR, BLADES & ROTOR SUPPORT AXLE

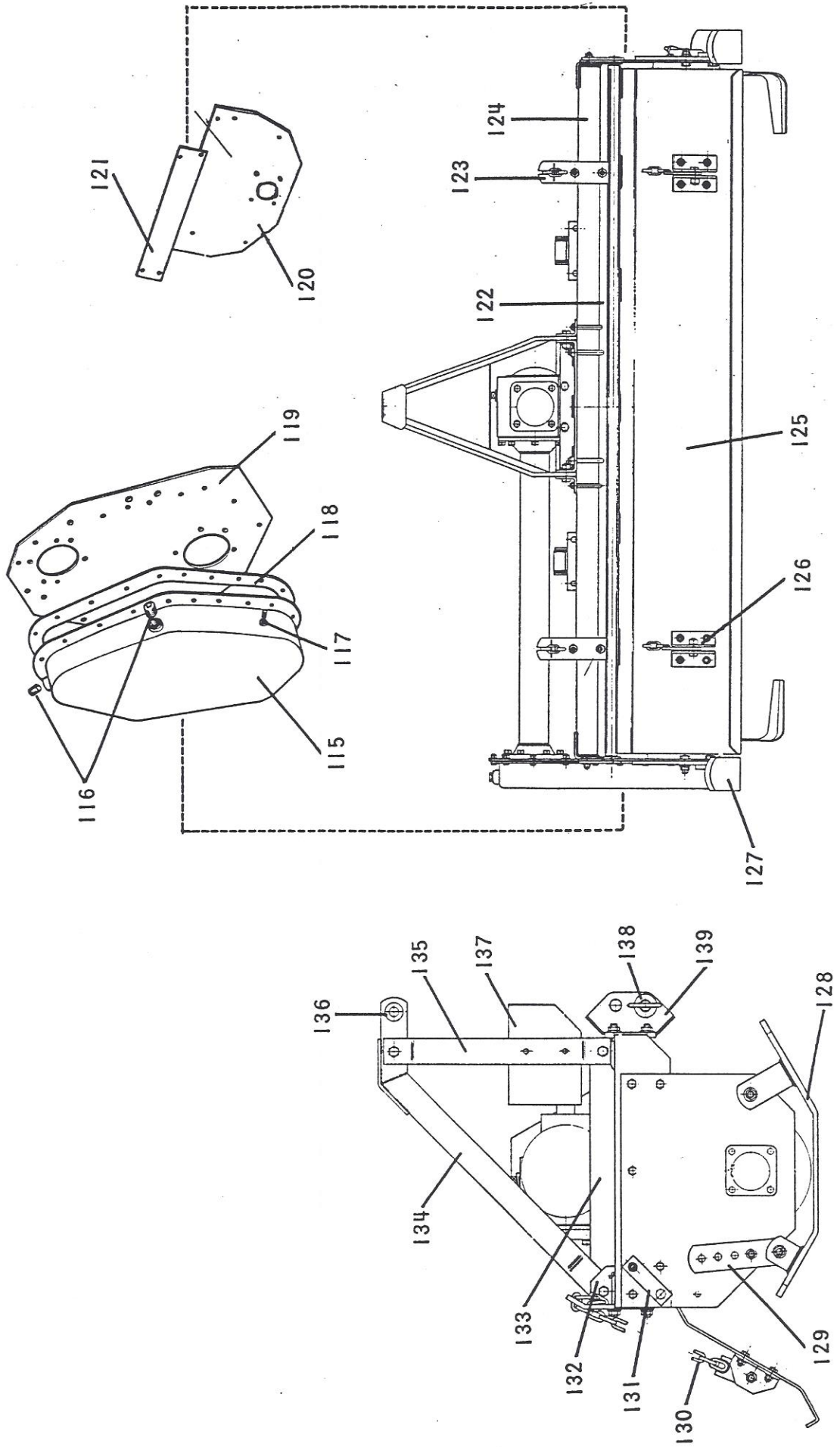
## PARTS LIST D

ILL. No.	PART No.	DESCRIPTION	QTY.	ILL. No.	PART No.	DESCRIPTION	QTY.
90	602413 602412	Rotor 50" model Rotor 60" model	1 1	100 101	253049011 253045071	Tab Washer Ring Nut - SKF-KM6	1 1
91	9900	L.H. Blade (L-type)	15 18	102 103	328273 704082	Gasket 1mm thick Cover Plate	2 1
92	9901	R.H. Blade (L-type)	15 18	104 105	202030780 9953	Grease Fitting L.H. Blade (C-type)	1 As req'd.
93	69667	7/16" x 1-1/8" UNF Gr. 8 Special Hex Hd. Bolt	60 72	106	9954	R.H. Blade (C-type) (Alternative style blade)	As req'd.
94	107107330	7/16" UNF Gripco Crownlock	60 72	107 thru 114		Not allocated	
95	328274	Support Axle	1	301212250 308120040		FASTENERS - NOT ILLUSTRATED M 12 x 25 Gr. 8.8 Hex Hd. Bolt M 12 Spring Washer Rotor Attaching Bolts	12 12
96	328030	Spacer Ring	1				
97	328027	Bearing Housing	1	301208300 308080040		M8 x 30 Gr. 8.8 Hex Hd. Bolt M8 Spring Washer Support Axle Cover Bolts	4 4
98	266242071	Oil Seal 62 x 42 x 7 mm	1				
99	253072191	Ball Bearing - 6306	1				

Quote part number and machine serial number when ordering parts.

# MAIN FRAME & SHIELDS

ILLUSTRATION E



# MAIN FRAME & SHIELDS

## PARTS LIST E

ILL. No.	PART No.	DESCRIPTION	QTY.	ILL. No.	PART No.	DESCRIPTION	QTY.
115	328459	Chaincase	1	130	602468	Shield Adjustment Chain	2
116	203010190	Filler Plug and Chain Adjustment Plug	2	131	602459	Hinge Pin	2
117	203031050	Oil level Plug	1	132	602443	Angle Bracket for Topmast	2
118	328461	Chaincase Gasket	1	133	602419	Gearbox Mounting Channel	1
119	602425	End Plate - Left Hand	1	134	602406	Topmast	1
120	602455	End Plate - Right Hand	1	134	602447	Topmast Stay	2
121	602454	Shim - End Plate (Right Hand)	AS req'd.	136	18831	Top Link Pin	1
122	602445	Main Shield 50" model	1	NI	600099	Quick Pin	3
	602444	Main Shield 60" model	1	137	602448	U-joint Guard	1
123	602449	Chain Retainer	2	138	18830	Lower Hitch Pin	2
124	602428	Main Frame 50" model	1	139	602442	Lower Hitch Bracket	2
	602427	Main Frame 60" model	1				
125	602437	Trailing Shield 50" model	1			<b>FASTENERS - NOT ILLUSTRATED</b>	
	602436	Trailing Shield 60" model	1			3/8" x 2" x 2-3/4" U-Bolt	2
126	602443	Angle Bracket for Shield Adjustment Chain	4			3/8" UNC Hex Gripco Flange Nut	4
						Parking Stand Mounting Bracket)	
127	602463	Depth Control Skid - Left Hand	1			1/4" x 3/4" UNC Gr. 2 Hex Hd. Bolt	4
						1/4" Flat Washer	4
128	602464	Depth Control Skid - Right Hand	1			1/4" Hex Gripco Nut	4
129	602465	Skid Adjustment Bar	2			U-joint Guard)	
NI	602466	Spacer - Adjustment Bar	2			Continued on Next Page	

**PARTS LIST E Continued**

ILL. No.	PART No.	DESCRIPTION	QTY.
	101208125	1/2" x 1-1/2" UNC Gr. 5 Hex Hd. Bolt	4
	107208315	1/2" UNC Hex Gripco Flange Nut	4
	(Location:	L.H. and R.H. Depth Control Skids)	
	101208125	1/2" x 1-1/2" UNC Gr. 5 Hex Hd. Bolt	4
	108081445	1/2" Spring Washer	4
	107208355	1/2" Spring Washer	4
	(Location:	Topmast and Stays to Main Frame)	
	101208365	1/2" x 4-1/2" UNC Gr. 5 Hex Hd. Bolt	1
	108081445	1/2" Spring Washer	1
	107208355	1/2" UNC Hex Nut	1
	(Location:	Topmast to Topmast Stays)	
	601432	3/8" UNC x 2" x 2-3/4" long U-Bolt	2
	107206315	3/8" UNC Hex Gripco Flange Nut	4
	(Location:	Topmast Angle Bracket to Main Frame)	
	602475	1/2" UNC x 2" Square-Corner U-Bolt	10
	107208315	1/2" UNC Hex Gripco Flange Nut	20
	(Location:	Hitch Brackets (4) Gearbox Channel (4) Chain Retainer to Frame (2)	
	NI - Not	Illustrated	

Quote part number and machine serial number when ordering parts.

ILL. No.	PART No.	DESCRIPTION	QTY.
	101405065	5/16" x 3/4" UNC Gr. 5 Hex Hd. Bolt	16
	101205085	5/16" x 1" UNC Gr. 5 Hex Hd. Bolt	2
	107205175	5/16" UNC Hex Nyloc Nut	18
	(Location:	Chaincase Cover)	
	101406075	3/8" x 7/8" UNC Gr. 5 Hex Hd. Bolt	24
	107206315	3/8" UNC Hex Gripco Flange Nut	24
	(Location:	Main Shield to Frame (6) Trailing Shield (8) L.H. End Plate (5) R.H. End Plate (5)	
	101206085	3/8" x 1" UNC Gr. 5 Hex Hd. Bolt	2
	107206315	3/8" UNC Hex Gripco Flange Nut	2
	(Location:	Shield Adjustment Chain to Chain Retainer)	
	101206105	3/8" x 1-1/4" UNC Gr. 5 Hex Hd. Bolt	2
	108061145	3/8" Spring Washer	2
	(Location:	Trailing Shield Hinge Pin)	
	101208105	1/2" x 1-1/4" UNC Gr. 5 Hex Hd. Bolt	4
	107208315	1/2" UNC Hex Gripco Flange Nut	4
	(Location:	Skid Adjustment Bar (2) Trailing Shield (2)	